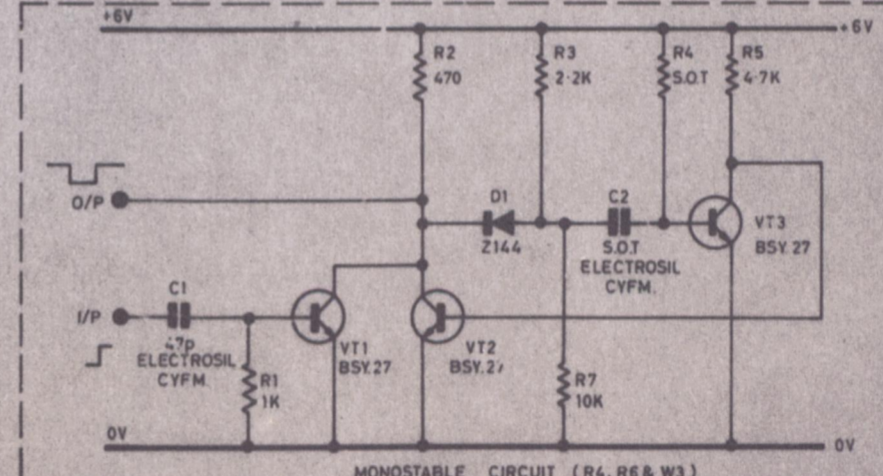
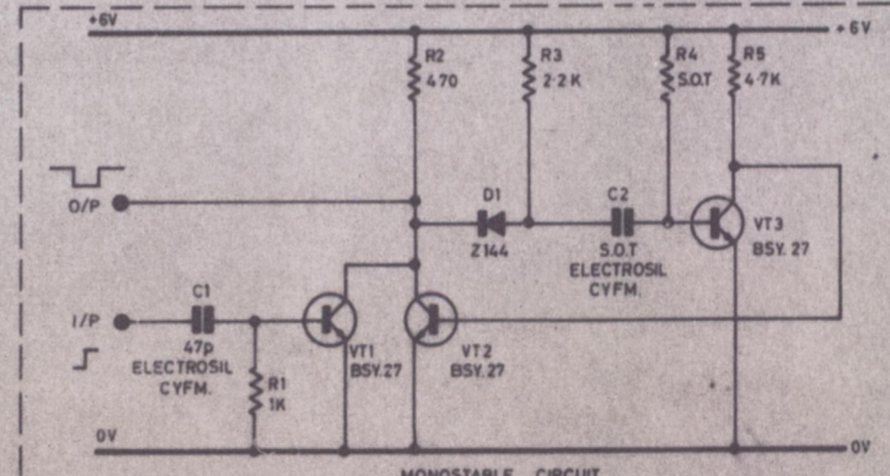
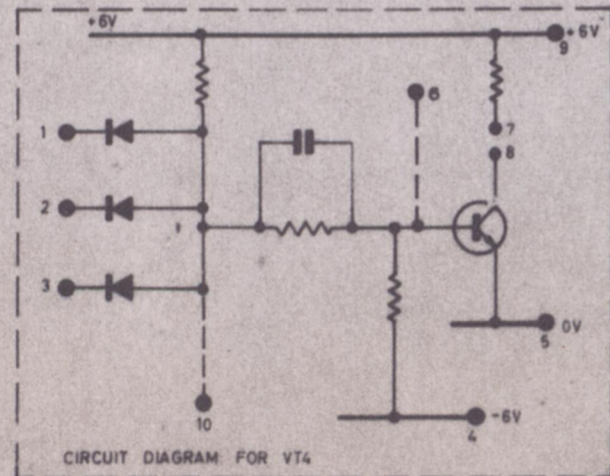
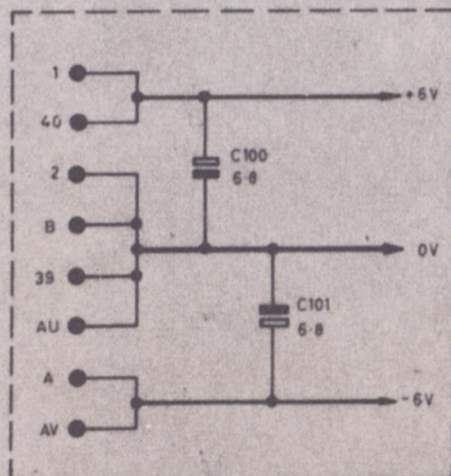
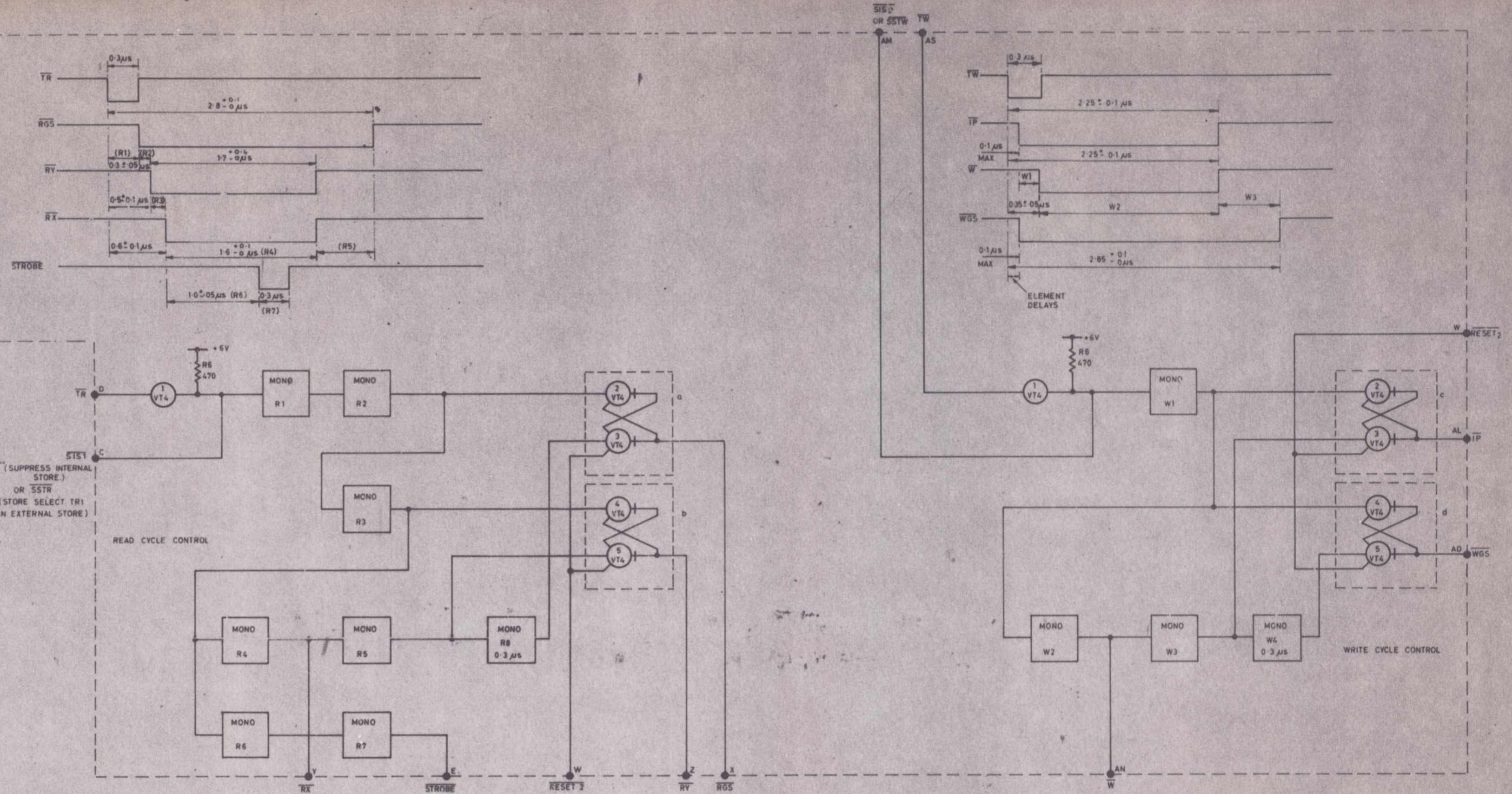


USED ON A 7201



920B STORE CONTROL CHAIN (A-EB3 UNIT)

A23

LATEST MI INCORPORATED MI-2998 **2998**

ISSUE No.	3	MATERIAL	FINISH	TITLE	920B STORE CONTROL CHAIN (A-EB3 UNIT)	SCALE	
ALTM. No.	1601	ELLIOTT BROTHERS (LONDON) LTD		DECIMAL		DRAWING No.	322 D 4197
DATE	27 1956	THIS DRAWING IS THE PROPERTY OF ELLIOTT BROTHERS (LONDON) LIMITED AND MAY NOT BE COPIED, SAID OR REPRODUCED IN ANY MANNER WITHOUT THE WRITTEN CONSENT OF ELLIOTT BROTHERS (LONDON) LIMITED.		FRACTIONAL		ANGULAR DIMENSIONS	UNLESS OTHERWISE STATED
INITIALS	L.J.E.	DRAWN	CHECKED	APPROVED	DATE		
PARTS LIST No.		LJEVERETT			10-11-56		